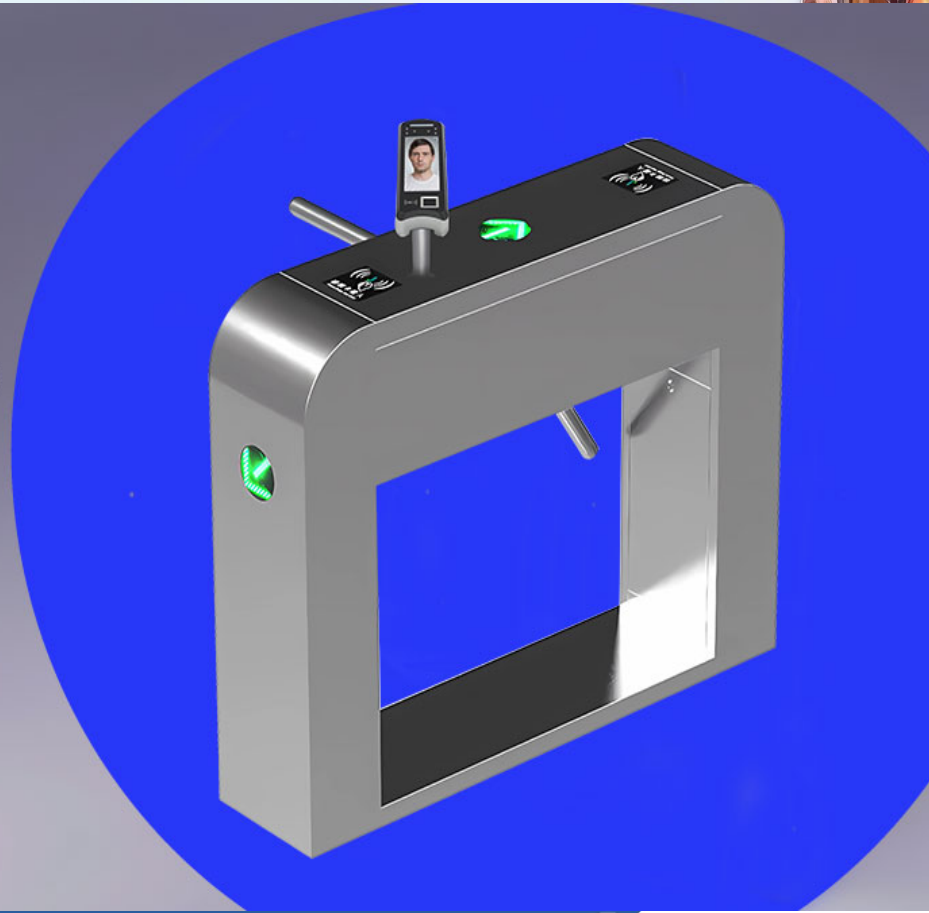


HF-TR05

**Bridge Tripod Turnstile Gate
For Entrance**



HF-TR05

**Bridge type arc tripod
turnstile**





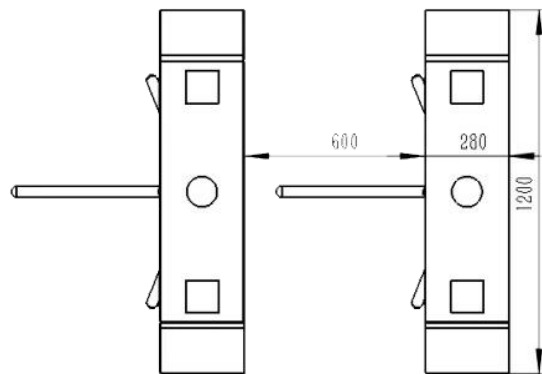
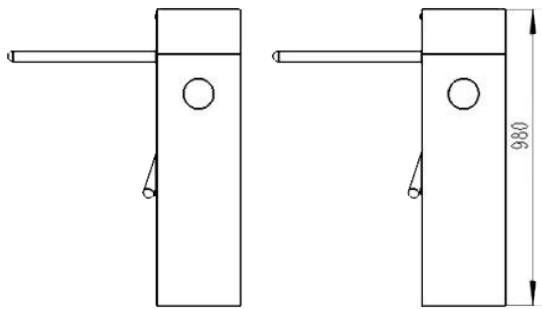
Specification

| | |
|---|---|
| Physical dimensions(mm) | L1200*W280*H980 |
| Box material | SUS304 stainless steel |
| Network port | AC220±10%V 50±10%HZ |
| Power wastage | 100W |
| Working environment | -10°C ~ 70°C |
| Relative humidity | ≤90% |
| Rotary rod transmission angle | 120° |
| Rotary rod direction | One way or two way |
| Gate opening and closing time | 0.8-1 second adjustable |
| Traffic speed | 30 people/minute (normally open), 25-30 people/minute (normally closed) |
| The time required to enter the pass state after powering on | 2 seconds |
| Normal service life | Continuous rotation more than 5 million times |
| Gate opening angle | 90±5 |
| Noise | < 50DB |
| Communication Interface | Standard RS485 interface, 232 protocol, distance ≤1200 meters |
| Input interface | Relay switching signal or 12V level signal or 12V pulse signal with pulse width >100ms, drive current >10mA |
| Input power | DC24V |
| Communication function | Communication with PC via RS485 |
| Indicating function | Red (alarm), green (work) indicator light |
| Use/storage temperature | 45°C/-20°C~55°C |
| Use/storage temperature | 40%~80%/0%~90% |
| Vibration/impact resistance | 4.9m/s ² /19.6m/s ² |
| Altitude | < 1000m |
| Atmospheric pressure | 86/106kpa |
| Voltage | DC5V±0.25 |
| Current consumption | 150mA |
| Responding speed | 600RPM |
| Output method | Z pulse |
| Operating temperature | -40°C~125°C |
| Storage temperature | -40°C~125°C |
| Vibration resistant | 49m/s |
| Shock proof | 980m/s |
| Operating voltage | DC24V |
| Power | 21W |

| | |
|-----------|----------------|
| Torque | 100Nm |
| Swing arm | Acrylic |
| Material | Aluminum alloy |
| Thickness | 8-12mm |
| Length | 500-550mm |

Product Functions and Features

1. The chassis is crafted with a 304 stainless steel brushed finish, ensuring durability and elegance.
2. The electric control system utilizes motor-driven technology, guaranteeing safe and reliable operation.
3. Power-off release function: Upon power loss, the gate barrier automatically unlocks, enabling free passage and facilitating crowd evacuation.
4. Anti-reverse function: Once the gate barrier rotates to a certain angle, any forceful reverse rotation will be recognized as retrograde movement, and the system will automatically lock to prevent pedestrians from moving in the opposite direction.



Smart motherboard

The gear rotation system is used to lock the gate in the zero position, and the unlocking is more accurate and reliable. The function is complete with access control and consumption functions, and the gate can be controlled without external consumption system.



Leakage protection switch

We use a brand-name manufacturer's leakage protection switch to be safer.



304 stainless steel

Health and environmental protection, corrosion resistance, high temperature resistance, strong rust resistance, durability, and years of use are still bright and new.



Stainless steel aluminum plate

The electroplating chrome plating process makes the surface of the product smooth and smooth, and has strong anti-rust ability. The chrome plating layer has high hardness, heat resistance and wear resistance.



HF-TR05 Bridge type arc tripod turnstile



All kinds of occasions can be applied

Widely used in supermarkets, stations, shopping malls, entertainment venues, bookstores, libraries

Administrative units, etc.



Head-quarter: Chongqing Huifan Technology Co., Ltd.

Tel: 86-23 6730 5254

13th floor Building D, Dongli International Building, Yubei District, Chongqing, China

Branch: Shenzhen BIO Technology Co., Ltd.

Tel: 86-755 2854 6168

Huafan Group, No.32, Jianlong Industrial Zone, Henggang, Longgang District, Shenzhen



www.hfsecurity.cn

www.hfctv.com

Info@hfctv.com

Huifan Technology Co., Ltd

Huifan Technology

HF_Security

Chongqing-huifan-technology



YouTube