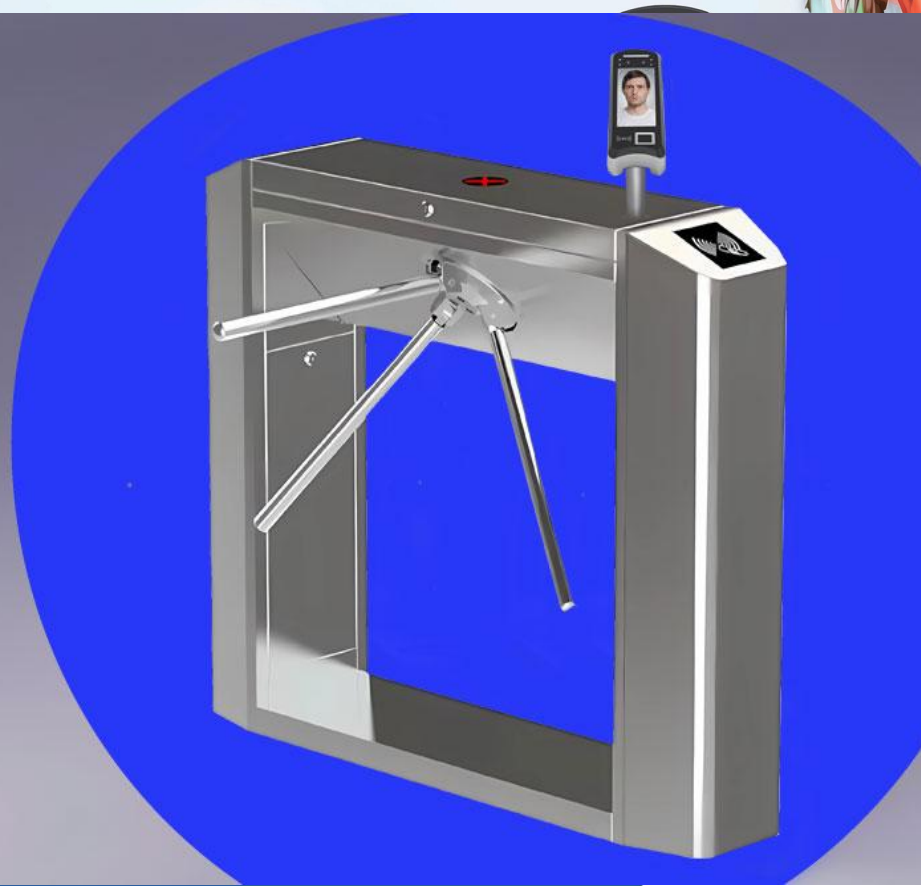


HF-TR04

**Stand Bridge Tripod
Turnstile Gate**



HF-TR04

**Standard bridge tripod
turnstile**





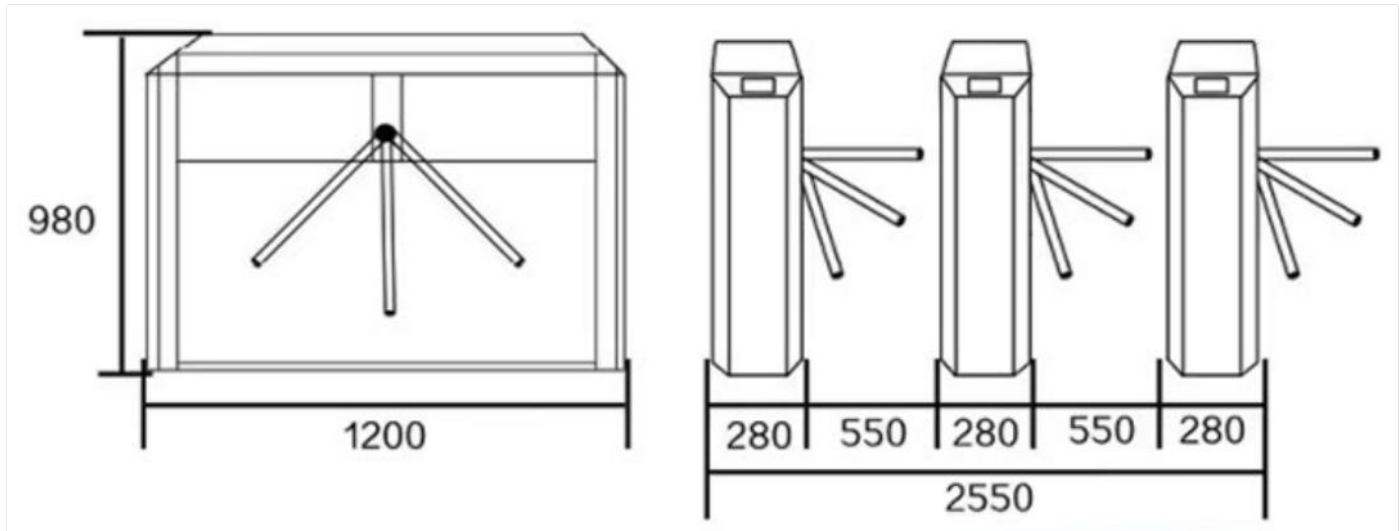
Specification

Physical dimensions(mm)	L1200*W280*H980
Box material	SUS304 stainless steel
Network port	AC220±10%V 50±10%HZ
Power wastage	100W
Working environment	-10°C ~ 70°C
Relative humidity	≤90%
Rotary rod transmission angle	120°
Rotary rod direction	One way or two way
Gate opening and closing time	0.8-1 second adjustable
Traffic speed	30 people/minute (normally open), 25-30 people/minute (normally closed)
The time required to enter the pass state after powering on	2 seconds
Normal service life	Continuous rotation more than 5 million times
Gate opening angle	90±5
Noise	< 50DB
Communication Interface	Standard RS485 interface, 232 protocol, distance ≤1200 meters
Input interface	Relay switching signal or 12V level signal or 12V pulse signal with pulse width >100ms, drive current >10mA
Input power	DC24V
Communication function	Communication with PC via RS485
Indicating function	Red (alarm), green (work) indicator light
Use/storage temperature	45°C/-20°C~55°C
Use/storage temperature	40%~80%/0%~90%
Vibration/impact resistance	4.9m/s ² /19.6m/s ²
Altitude	< 1000m
Atmospheric pressure	86/106kpa
Voltage	DC5V±0.25
Current consumption	150mA
Responding speed	600RPM
Output method	Z pulse
Operating temperature	-40°C~125°C
Storage temperature	-40°C~125°C
Vibration resistant	49m/s
Shock proof	980m/s
Operating voltage	DC24V
Power	21W

Torque	100Nm
Swing arm	Acrylic
Material	Aluminum alloy
Thickness	8-12mm
Length	500-550mm

Product Functions and Features

1. The chassis is crafted with a 304 stainless steel brushed finish, ensuring durability and elegance.
2. The electric control system utilizes motor-driven technology, guaranteeing safe and reliable operation.
3. Power-off release function: Upon power loss, the gate barrier automatically unlocks, enabling free passage and facilitating crowd evacuation.
4. Anti-reverse function: Once the gate barrier rotates to a certain angle, any forceful reverse rotation will be recognized as retrograde movement, and the system will automatically lock to prevent pedestrians from moving in the opposite direction.



Smart motherboard

The gear rotation system is used to lock the gate in the zero position, and the unlocking is more accurate and reliable. The function is complete with access control and consumption functions, and the gate can be controlled without external consumption system.

Leakage protection switch

We use a brand-name manufacturer's leakage protection switch to be safer.

304 stainless steel

Health and environmental protection, corrosion resistance, high temperature resistance, strong rust resistance, durability, and years of use are still bright and new.

Stainless steel aluminum plate

The electroplating chrome plating process makes the surface of the product smooth and smooth, and has strong anti-rust ability. The chrome plating layer has high hardness, heat resistance and wear resistance.

HF-TR04 Standard bridge tripod turnstile



All kinds of occasions can be applied

Widely used in supermarkets, stations, shopping malls, entertainment venues, bookstores, libraries

Administrative units, etc.



Head-quarter: Chongqing Huifan Technology Co., Ltd.

Tel: 86-23 6730 5254

13th floor Building D, Dongli International Building, Yubei District, Chongqing, China

Branch: Shenzhen BIO Technology Co., Ltd.

Tel: 86-755 2854 6168

Huafan Group, No.32, Jianlong Industrial Zone, Henggang, Longgang District, Shenzhen



www.hfsecurity.cn

www.hfctv.com

Info@hfctv.com

Huifan Technology Co.,Ltd

Huifan Technology

HF_Security

Chongqing-huifan-technology



YouTube